

CycloneTM

Pool & Spa Pump

Tough, high performance pool pumps for optimum pool water circulation and years of reliable service.



Features & Benefits

- Designed for durability and long life using corrosion resistant, UV stabilised materials
- Self priming pump for trouble-free operation and air handling
- Compact design suits tight spaces and pump sheds
- Built in thermal overload protection, protects motor from low voltage or jammed pump
- Stainless steel pump shaft suited for salt water pools
- Reinforced base keeps the motor high and dry for corrosion protection
- Locking ring secured lid for a reliable seal day after day
- Large leaf basket for user convenience
- Range of sizes to suit domestic pools and solar applications
- Barrel union connections for easy pump installation

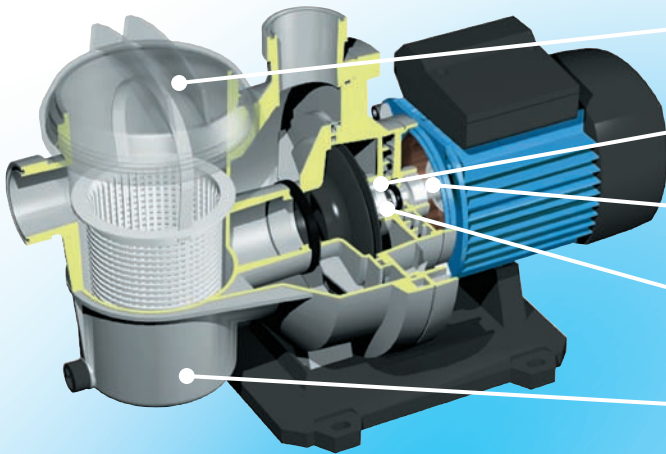
Guarantee – 3 years



monarchseries.com.au

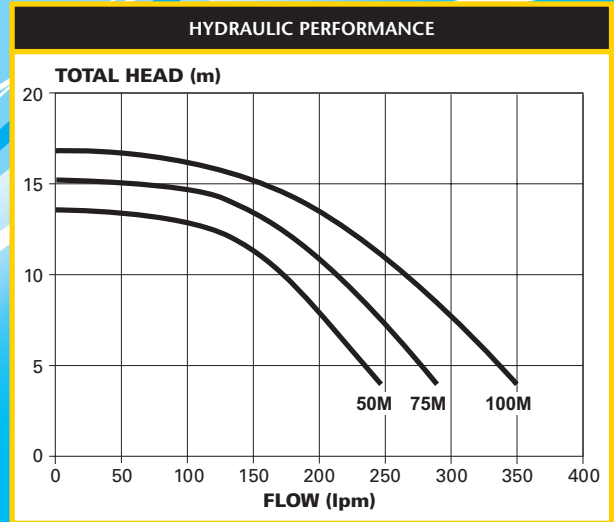
Cyclone™

Pool & Spa Pump



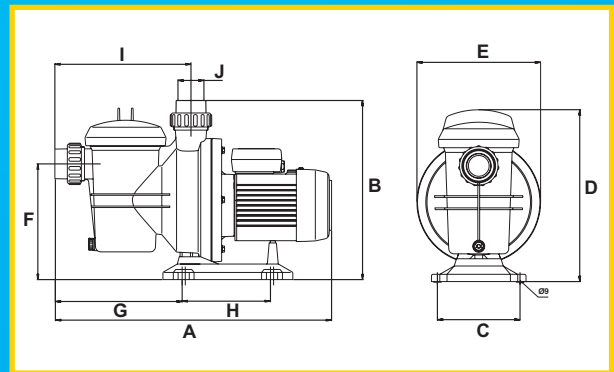
- Easy to remove, leaf basket cover for easy viewing and removal of leaves and debris
- Carbon / Ceramic mechanical seal
- Stainless steel motor shaft for corrosion resistance in salt water pools
- Impeller made of glass-filled Noryl® for high abrasion resistance
- Corrosion resistant body, foot and diffuser from glass-filled polypropylene construction.

ELECTRICAL DATA			
Model	Cyclone 50M	Cyclone 75M	Cyclone 100M
Voltage (V)	220-250		
Supply Frequency / Phase	50Hz / 1		
Run Current (A)	3.3	5.0	5.8
Motor Input Power (W)	800	1200	1400
Motor Output Power (W)	440	550	750
RPM	2900		
Enclosure Class (IP)	55		
Insulation Class	F		
Approval No.	W2442		



OPERATING LIMITS	
Water Temperature	Max 35°C
Ambient Temperature	Max 50°C

DIMENSIONS (mm)														
Model	A	B	C	D	E	F	G	H	I	J	Mount Hole Diam.	Inlet P.V.C. (mm)	Outlet P.V.C. (mm)	Net Weight (Kg)
Cyclone 50M														9.7
Cyclone 75M	532	345	159	330	238	225	244	170	262	50	9	40/50	40/50	11
Cyclone 100M														11.6



Datasheet Disclaimer:

All details in this leaflet are accurate at the time of printing. This literature is not a complete guide to product usage. Further information is available from your Monarch Series dealer, Davey Customer Service Centre and from the relevant product Installation & Operating Instructions. This datasheet must be read in conjunction with the relevant Installation & Operating Instructions and all applicable statutory requirements. Product specifications may change without notice. © Davey is a registered trademark of Davey Water Products Pty Ltd. © Davey Water Products Pty Ltd 2008.



Davey Water Products Pty Ltd

Member of the GUD Group
ABN 18 066 327 517
Head Office and Manufacturing
 6 Lakeview Drive, Scoresby, Australia 3179
 Ph: +61 3 9730 9222
 Fax: +61 3 9753 4100
 Website: davey.com.au

Customer Service Centre
 Ph: 1300 2 DAVEY (1300 232 839)
 Fax: 1300 304 850
 E-mail: sales@davey.com.au
 Interstate Offices
 Sydney • Brisbane • Adelaide
 Perth • Townsville

International

6 Lakeview Drive,
 Scoresby, Australia 3179
 Ph: +61 3 9730 9121
 E-mail: export@davey.com.au

New Zealand

7 Rockridge Avenue,
 Penrose, Auckland 1061
 Ph: +64 9 570 9135
 Website: daveynz.co.nz
 E-mail: sales@daveynz.co.nz

Germany

Kantstrasse 53,
 04275 Leipzig
 Ph: +49 341 301 0412
 E-mail: akrenz@daveyeurope.com

USA - Davey Pumps Inc.

1005 N. Commons Drive,
 Aurora, Illinois 60504
 Ph: +1 630 898 6976
 Website: daveyusa.com
 E-mail: sales@daveyusa.com