



# STEALTH™

AN INNOVATION IN AUTOMATIC POOL CLEANERS



**MONARCH**  
POOL SYSTEMS

AUSTRALIAN OWNED AND OPERATED





## AN INNOVATION IN AUTOMATIC POOL CLEANERS

Orca Stealth™ comprises 3rd Generation Pool Cleaner technology offering superior performance and reliability. Consisting of no diaphragms, cogs, gears or hammers the Orca Stealth is like no other automatic pool cleaner.

The Stealth™ is driven by a revolutionary 'engine' unit which consists of one moving part and enables the cleaner to glide effortlessly and quietly around your swimming pool floor and walls.

The Orca Stealth™ is manufactured utilising the highest quality materials

available, all parts are UV stable and chemical resistant in order to provide many years of trouble free service for your swimming pool.

The Orca Stealth™ is suitable for all pool types and surfaces including concrete, fibreglass and vinyl. Simple to install on new and existing pools the Orca Stealth™ is complete with its very own auto skim / flow control valve and skimmer plate adaptor. For the new generation in automatic pool cleaning technology, let Stealth clean your swimming pool today!



### FEATURES:

**Disk** - contours to the shape of the pool surface enabling debris to pass underneath and be extracted from the swimming pool

**Main Body and Outer Extension Pipe** - Translucent Blue colour to enable viewing of debris being extracted from pool surface

**Engine Unit and Ball Valve** - the heart of the Stealth used to propel the cleaner effortlessly around the pool

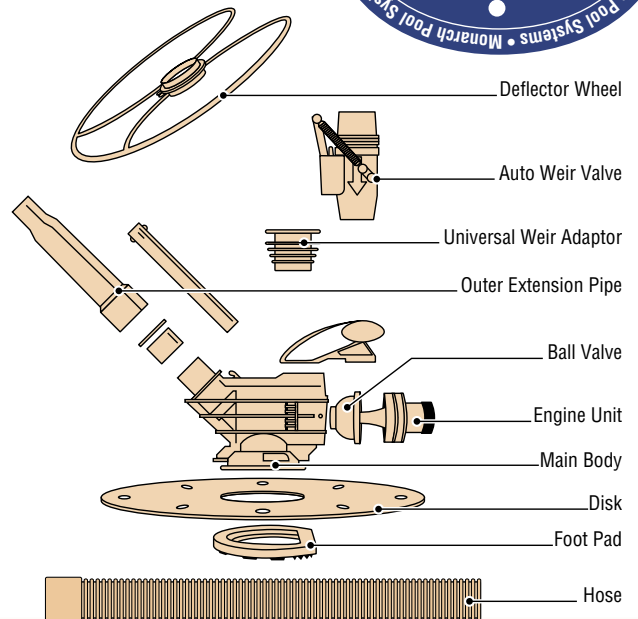
**Foot Pad** - Gently cleanses the pool surface to remove algae and debris leaving the pool spotlessly clean

**Deflector Wheel** - If necessary enables the Stealth to manoeuvre away from steps and other obstacles in the pool

**Automatic Weir Valve** - Enables adjustment of Stealth Speed and provides surface skimming of leaves and other debris

**Universal Weir Adaptor** - Enables quick and easy installation of Stealth to pools skimmer plate

**Stealth™ 1m Sectional Hose Length** - Translucent superior quality fully moulded hose length with no glued or welded connection ends for superior performance and reliability... will not kink like spiral wound pool hose and is free of 'hose memory' problems associated with full length hoses!



#### Authorised Dealer:

The Orca Stealth™, Automatic Weir Valve, Hose Weight, Pool Hoses and Disk are covered by one or more patent numbers and trade marks: PCT/IB01/01122, Aust. 720259, design 137354, 24997/99, 647235, 65448/01 and registered design no. F98/0281.

**MONARCH  
POOL SYSTEMS**

HIGH QUALITY POOL & SPA EQUIPMENT

Member of the GUD Group

**WA:** 18 Catalano Road Canning Vale WA 6155  
**NSW:** 16 Centenary Avenue Moorebank NSW 2170  
**QLD:** 76 Northlink Place, Virginia QLD 4014  
**VIC:** 6A Brough Street, Springvale VIC 3171  
**SA:** Unit 3, 4 Cord Street, Dudley Park, SA 5008

Phone: (08) **9256 3555**  
 Phone: (02) **9824 3724**  
 Phone: (07) **3266 4711**  
 Phone: (03) **9546 4937**  
 Phone: (08) **8342 6205**

Fax: (08) **9256 3777**  
 Fax: (02) **9601 8621**  
 Fax: (07) **3266 4722**  
 Fax: (03) **9546 8127**  
 Fax: (08) **8342 6574**

**WEB:** [www.monarchpoolsystems.com](http://www.monarchpoolsystems.com) **EMAIL:** [info@monarchpoolsystems.com](mailto:info@monarchpoolsystems.com)

**AUSTRALIAN OWNED AND OPERATED**