

you dream, we create!

PO Box 1043, Nowra NSW 2541  
Phone: 1300 722 009 Fax: 4422 0303  
abn 29 121 939 795 licence 197464C  
[www.realaussiepools.com.au](http://www.realaussiepools.com.au)  
sales@realaussiepools.com.au

Real  
Aussie  
Pools

## RESIDENTIAL GRAB RAILS - MODEL G1

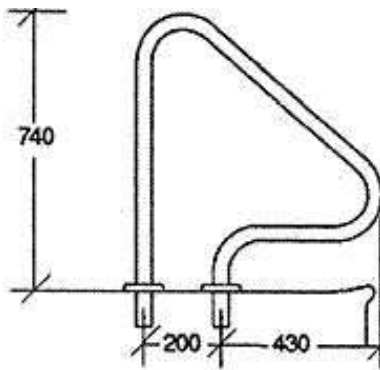
### Model G1 Figure 4 Grab Rails (Pair or Single)

### SPECIFICATIONS

The Pool Deck G1 Grab Rail is a popular choice. It has been designed for the swimming pool that has vertical steps in the wall. It fits most applications.

Figure 4 Shape. Available with a flange with cover plates or standard.

**Material:** Type 316 Stainless Steel 38 mmø mirror polished.



Suitable for Residential and Public Pools

G1 Standard for Concreting in  
G1 Flanged for Bolting on

**Standard:** The legs are 100mm longer which allows you to set the grab rails in concrete or epoxy.

**Flanged:** A flange allows you to fix the grab rails to the pool deck using bolts and loxins or similar (3 bolts and 3 loxins per flange).

