



Experts in water.

DAVEY

APPLICATIONS

Ideal for most swimming pool applications such as:

- Filtration
- Auto pool cleaning
- Backwashing
- Water features
- Spa jet operation
- Solar pool heating
- Gas and heat pump spa & pool heating

WHY CHOOSE THE Silensor® Series 50Hz pump?

Super-Quiet - Designed with a unique water-cooled motor which captures noise and vibrations, allowing super-quiet operation, rated between 54 and 56 dBa. Your neighbours won't even know it's there.

Long Lasting - Silensor is designed for long service life in an outdoor, poolside environment and replaces highly corrodible metal components with high performance, long-life plastics for low maintenance and dependable service – year after year.

Dependable - Silensor incorporates unique dry run protection to minimise pump damage if no water is available to the pump. It also includes a unique mechanical seal protection for long service life and reduced maintenance.

Convenient - By water-cooling the motor, Silensor does not require air ventilation, and gives installers more flexibility with pump positioning.

- SLS models are an ideal replacement for many other pool pump models and are designed to retrofit with minimal hassle.
- SLL models feature a large leaf basket for long intervals between cleaning.



SLS



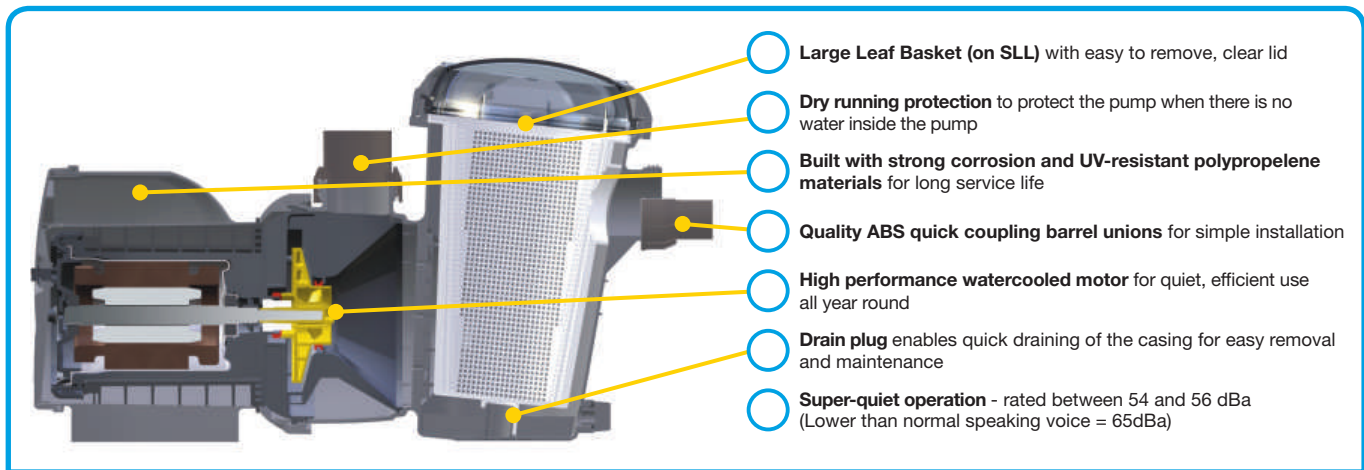
SLL

SILENSOR® by **DAVEY**

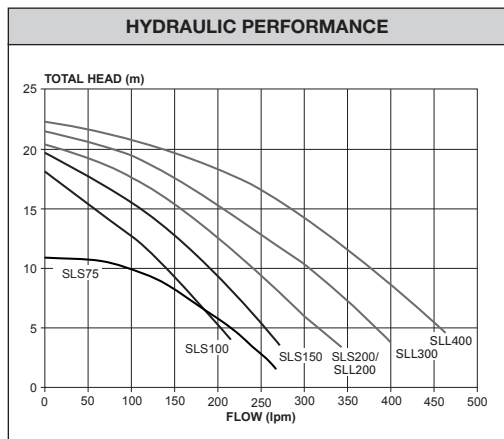
50Hz Super Quiet Pool Pump

Davey's Silensor® Series pool pumps offer super-quiet operation with high efficiency, making them the ideal choice for today's swimming pools.



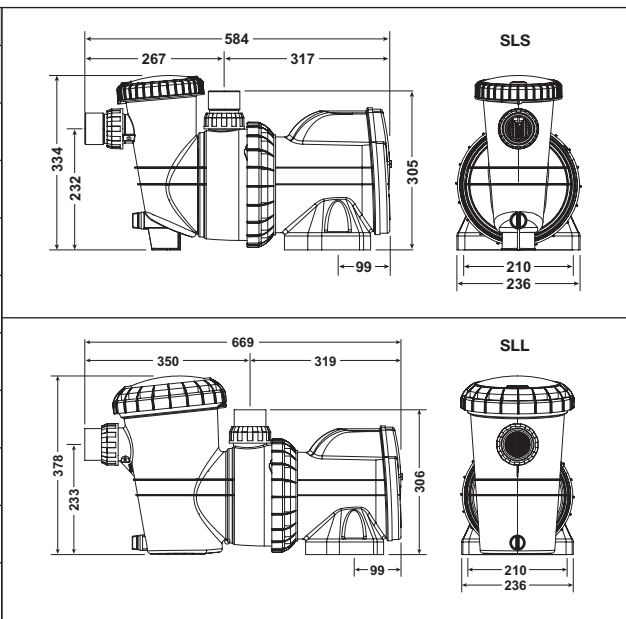


| ELECTRICAL DATA | | | | | | | | | |
|--------------------------|-----------|---------|---------|----------|----------|---------|----------|----------|----------|
| Type | SLS75 | SLS100 | SLS150 | SLS200 | SLS300 | SLL150 | SLL200 | SLL300 | SLL400 |
| Voltage (V) | 220 / 240 | | | | | | | | |
| Supply Frequency (Hz) | 50 | | | | | | | | |
| Motor Input Power (W/HP) | 530/0.7 | 740/1.0 | 860/1.2 | 1090/1.5 | 1400/1.9 | 870/1.2 | 1130/1.5 | 1400/1.9 | 1760/2.4 |
| Motor Output Power | 371/0.5 | 525/0.7 | 620/0.8 | 775/1.0 | 960/1.3 | 635/0.8 | 830/1.1 | 960/1.3 | 1200/1.6 |
| RPM | 2850 | | | | | | | | |
| Enclosure Class (IP) | 56 | | | | | | | | |
| Insulation Class | F | | | | | | | | |
| Approval No. | A/10EA | | | | | | | | |
| Lead Length | 3m | | | | | | | | |



| OPERATING LIMITS | |
|--------------------------|-------------|
| Max. water temperature | 40°C |
| Max. ambient temperature | 40°C |
| Noise level (AS 5102.2) | 54 to 56dBa |

| DIMENSIONS (mm) | | | | |
|-----------------|-------------------------|-----------|------------|-----------------------|
| Type | Mounting Holes Diameter | Inlet PVC | Outlet PVC | Net Weight (kg / lbs) |
| SLS 75 | 10 x 34 deep | 40 / 50 | 40 / 50 | 11.0 |
| SLS 100 | | 40 / 50 | 40 / 50 | 11.0 |
| SLS 150 | | 40 / 50 | 40 / 50 | 11.0 |
| SLS 200 | | 40 / 50 | 40 / 50 | 11.5 |
| SLS 300 | | 40 / 50 | 40 / 50 | 11.5 |
| SLL 150 | | 40 / 50 | 40 / 50* | 11.5 |
| SLL 200 | | 40 / 50 | 40 / 50* | 12.5 |
| SLL 300 | | 50 | 50 | 12.5 |
| SLL 400 | | 50 | 50 | 13.0 |



* Suction & delivery accept 40mm PVC pipe on the I.D. and 50mm fitting on the O.D.



davey.com.au | daveynz.co.nz

This literature is not a complete guide to product usage. Further information is available from your Davey Dealer, Davey Support Centre and from the relevant product Installation and Operating Instructions. Must be read in conjunction with the relevant product Installation and Operating Instructions and all applicable statutory requirements. Product specifications may change without notice.
 © Davey is a registered trademark of Davey Water Products Pty Ltd. © Davey Water Products Pty Ltd 2013.